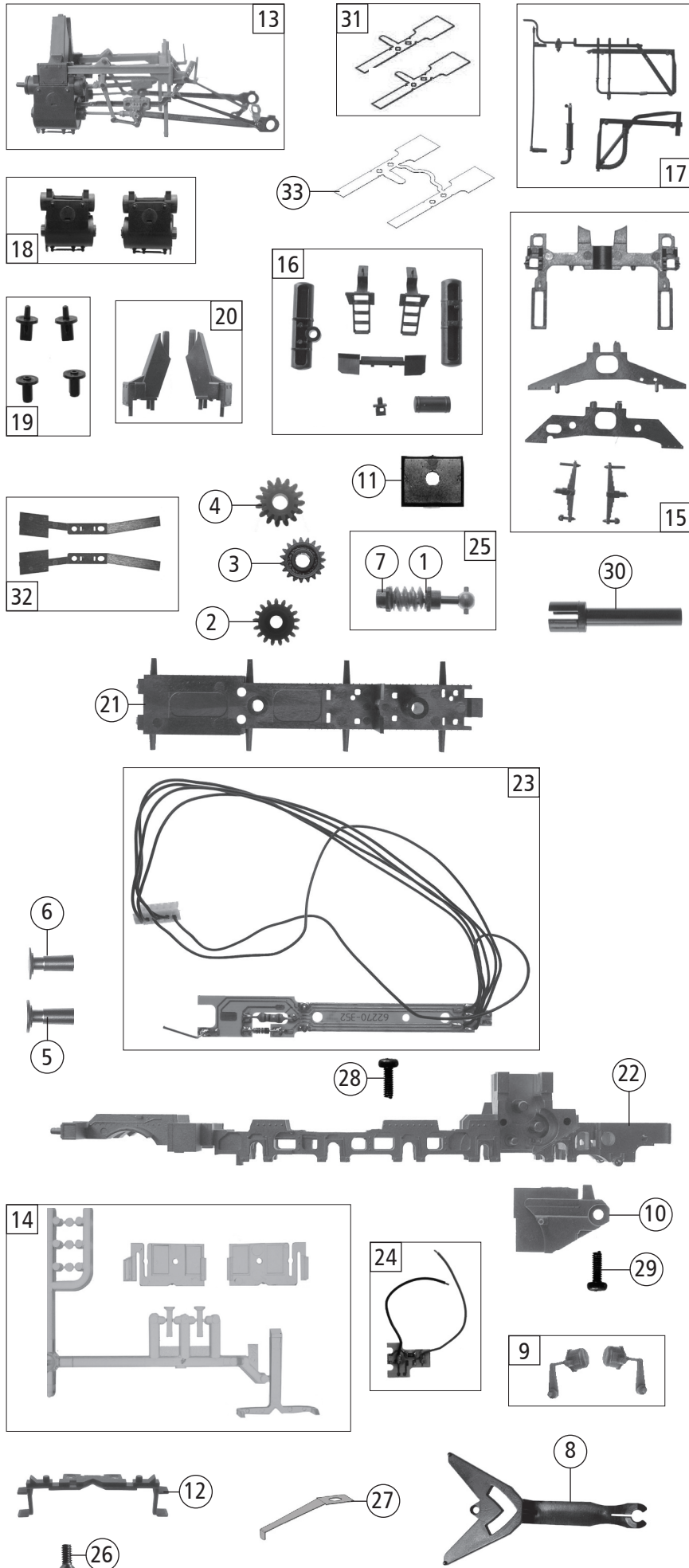
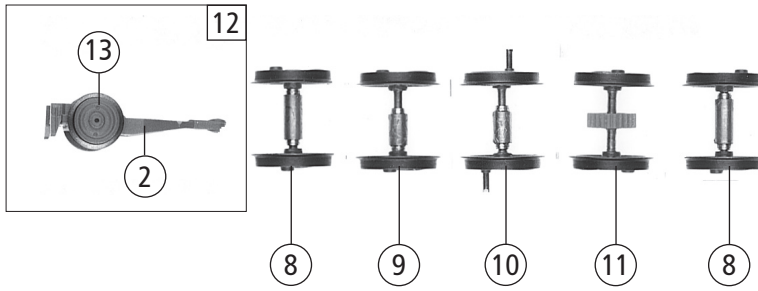


| Pos. Nr. Pos.no. | Beschreibung Description | Art.-Nr. Art.no. | Preisgruppe Price bracket |
|---------------------|--|---------------------|------------------------------|
| 72228 | ÖBB BR 52 | = | |
| 72229 | | = | 🔊 |
| 78229 | | ~ | 🔊 |
| 1 | Kupplungsauflage Coupling cover | 100277 | 4 |
| 2 | GF-Schraube M2x5 mm Self-tapping screw M2x5 | 114966 | 3 |
| 3 | Lichtabdeckung Light cover | 122502 | 3 |
| 4 | Kesselstütze kpl. mit Seuthek. Boiler support complete with Seuthek | 124975 | 8 |
| 5 | TS - Fenster Part set of window | 124977 | 8 |
| 6 | TS - Griffst. Part set of handrails | 125094 | 8 |
| 7 | TS - Dachaufsatz, Werkzeugk. Part set roof cap, tool box | 124996 | 7 |
| 8 | Ventilleitung Valve line | 124988 | 8 |
| 9 | TS - Sandfallrohre, Ventile Part set sand pipes, valves | 125001 | 9 |
| 10 | TS - Rohre, Bremsschl., Bel. Part set pipes, brake hose | 125002 | 9 |
| 11 | TS - Abdeckungen Part set covers | 125003 | 10 |
| 12 | TS - Rauchkammerstufen / Stützen Part set of smoke box steps/supports | 125005 | 7 |
| 13 | Kesselgewicht Boiler weight | 125011 | 8 |
| 14 | TS - Leitungen Part set lines | 125012 | 9 |
| 15 | TS - Generatorleitungen Part set generator lines | 125014 | 8 |
| 16 | Umlaufblech Running board | 145347 | 16 |
| 17 | Drahtfeder Thread spring | 125034 | 4 |
| 18 | Führerhaus kpl. Betr.Nr. 52.3540 Drivers cab ass. No. 52.3540 | 145349 | 18 |
| 19 | TS - Griffstangen Part set handrails | 125092 | 10 |
| 20 | Sand- und Dampfdomdeckel Sand- and steam dome cover | 125037 | 6 |
| 21 | Kesselboden Boiler bottom | 125038 | 12 |
| 22 | Pumpe rechts Pump right | 125039 | 4 |
| 23 | Kessel kpl. Betr.Nr. 52.3540 Boiler ass. No. 52.3540 | 145348 | 39 |
| 24 | Generator für Umlauf Generator for running board | 125004 | 4 |
| 25 | Pufferbohlengriff Frontside framework handrail | 125078 | 3 |
| 26 | Giesl-Ejektor Giesl type ejector | 145350 | 7 |
| Sound | | | |
| 27 | Steckverbindung Plug connector | 141597 | 11 |
| 28 | Lautsprecher Loudspeaker | 129524 | 13 |
| 29 | Lautsprecherplatine Loudspeaker PCB | 133613 | 11 |
| 30 | GF-Schraube M1,6x4 mm Self-tapping screw M1,6x4 | 114850 | 3 |

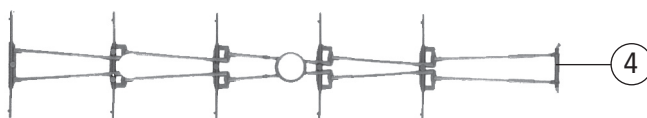
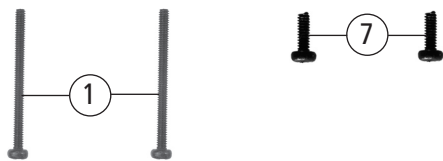
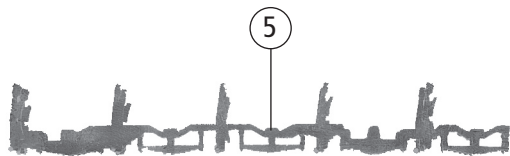
Änderungen in Konstruktion und Ausführung vorbehalten
We reserve the right to change the construction and specification

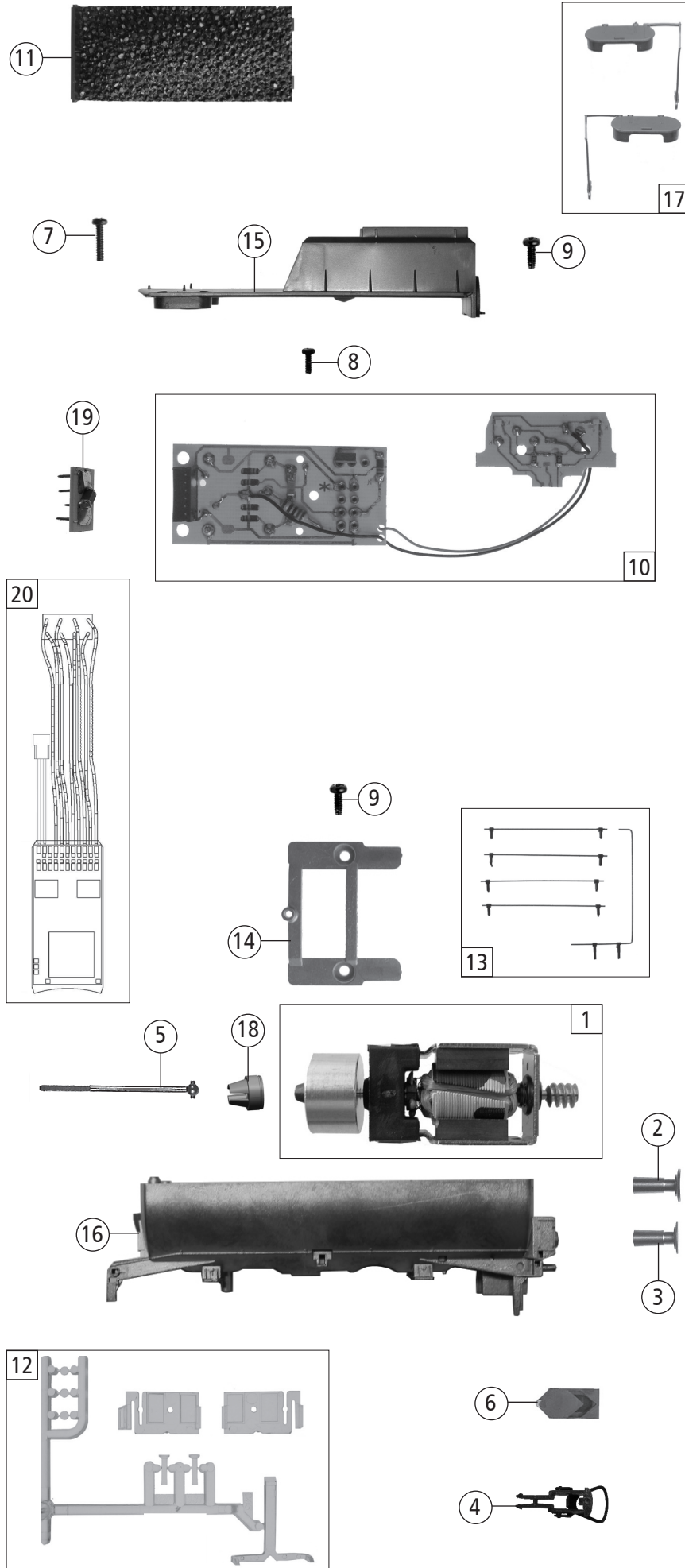


| Pos. Nr. Pos.no. | Beschreibung Description | Art.-Nr. Art.no. | Preisgruppe Price bracket |
|------------------------|--|---------------------|------------------------------|
| 72228 | ÖBB BR 52 | = | |
| 72229 | | = | 🔊 |
| 78229 | | ~ | 🔊 |
| 1 | Beilagscheibe 2.1 x 4 / 0.2 mm Washer 2.1 x 4 / 0.2 | 86108 | 3 |
| 2 | Zahnrad Z=17 Gear wheel Z=17 | 86409 | 5 |
| 3 | Zahnrad Z=19 / M=0,4 Gear wheel Z=19 / M=0,4 | 86417 | 3 |
| 4 | Schnecken Zahnrad Z=15/14 Worm gear wheel Z=15/14 | 86490 | 5 |
| 5 | Puffer rund flach Buffer round flat | 88556 | 5 |
| 6 | Puffer rund gewölbt Buffer round curved | 88557 | 5 |
| 7 | Lager für Schneckenachse Bearing for worm gear axle | 89749 | 6 |
| 8 | Lok-Tenderkupplung Coupling between loco and tender | 100296 | 8 |
| 9 | Kessel Steckteilesatz 5 Boiler plug-in parts | 100684 | 9 |
| 10 | Lokgetriebedeckel Loco gear cover | 100290 | 12 |
| 11 | Schneckenkammerdeckel Worm gearbox cover | 111987 | 4 |
| 12 | Loktreppe schwarz Loco treadle black | 125083 | 4 |
| 13 | Steuerung kpl. Reversing gear complete | 139267 | 35 |
| 14 | TS - Fenster und Lichtleiter Part set window and light conductor | 124986 | 8 |
| 15 | TS - Stützbleche und Federpaket Part set support metal sheets a.spring pack | 125077 | 8 |
| 16 | TS - D-Kessel, Treppen, Pumpen Part set D-boiler, treadle,pumps | 125080 | 8 |
| 17 | TS - Leitungsgitter und Steckteile Part set line grill and plug-in parts | 125082 | 7 |
| 18 | Zylinderblock links und rechts Cylinder block left and right | 124995 | 12 |
| 19 | Schieberkastendeckel vo. und hi. Steam chest cover front and rear | 125000 | 6 |
| 20 | Zylinderoberteil links und rechts Cylinder overhead left and right | 125015 | 7 |
| 21 | Platinenabdeckung schwarz PCB cover black | 125097 | 8 |
| 22 | Lokgrundrahmen Loco basic frame | 145345 | 16 |
| 23 | Lokplatine kpl. Loco PCB ass. | 125019 | 20 |
| 24 | Stirn-LED-Platine kpl. Front -LED-PCB compl. | 125020 | 12 |
| 25 | Schneckensatz - Kardankugel Set of worm gear - cardan ball | 125022 | 13 |
| 26 | SK-Schraube M1,6x3 mm SK-Screw M1,6x3 | 125023 | 3 |
| 27 | Vorlaufgestellfeder Bogie spring | 125024 | 3 |
| 28 | GF-Schraube M1,6x4 mm Self-tapping screw M1,6x4 | 114850 | 3 |
| 29 | GF-Schraube M2x5 mm Self-tapping screw M2x5 | 114966 | 3 |
| 30 | Kardanhülse Cardan reception | 124974 | 5 |
| 31 | Radkontakt für Steuerung Wheel contact for reversing gear | 128920 | 5 |
| 32 | Radkontakt links und rechts Wheel contact left and right | 124976 | 6 |
| AC-Wechselstrom | | | |
| 33 | Radkontakt für Steuerung AC Wheel contact for reversing gear AC | 126354 | 5 |

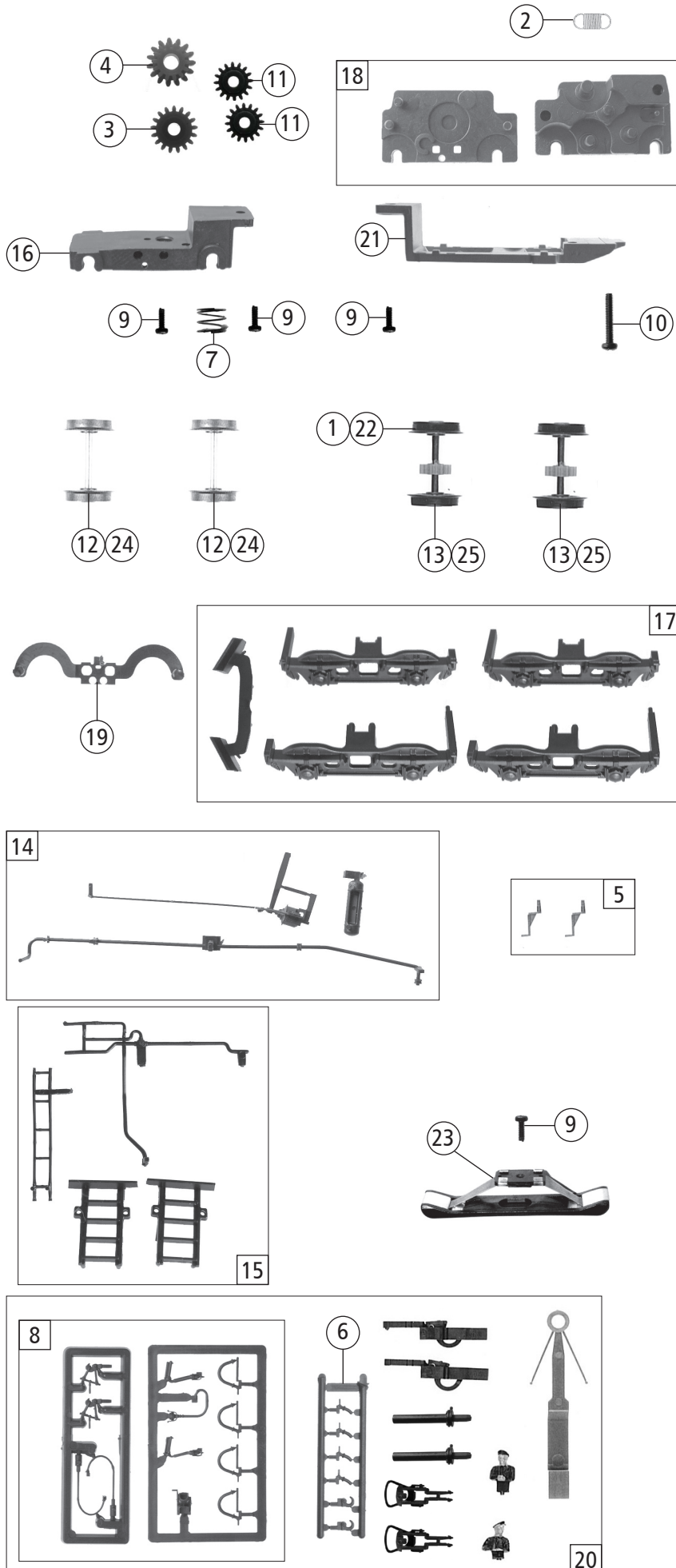


| Pos. Nr. Pos.no. | Beschreibung Description | Art.-Nr. Art.no. | Preisgruppe Price bracket |
|---------------------|---|---------------------|------------------------------|
| 1 | GF - Schraube M2x25 mm Self-tapping screw M2x25 | 115533 | 3 |
| 2 | Vorlaufgestell Bogie | 135479 | 8 |
| 3 | TS - Stoppel vorne und hinten Part set plugs front and back | 138069 | 5 |
| 4 | Bremsgestänge Brake rigging | 100292 | 3 |
| 5 | Bremsrahmen Brakes frame | 100308 | 12 |
| 6 | TS - Treibstangen bedr. Part set of driving rod | 134762 | 18 |
| 7 | GF-Schraube M2x4 mm Self-tapping screw M2x4 | 114877 | 3 |
| 8 | Radsatz 1+5 mit Achslager lang Wheelset 1+5 with axle bearing long | 131593 | 12 |
| 9 | Kuppelradsatz 2 mit Achslager klein Coupled wheelset 2 with axle bearing short | 131594 | 12 |
| 10 | Treibradsatz 3 mit Achslager klein Driving wheelset 3 with axle bearing short | 131595 | 12 |
| 11 | Kuppelradsatz 4 mit Zahn. Coupled wheelset 4 with traction tyres | 131596 | 12 |
| 12 | Vorlaufgestell komplett Bogie ass. | 135261 | 17 |
| 13 | Vorlaufradsatz Carrying wheelset | 90689 | 9 |





| Pos. Nr. Pos.no. | Beschreibung Description | Art.-Nr. Art.no. | Preisgruppe Price bracket |
|-----------------------------|---|---------------------|------------------------------|
| 72228 | ÖBB BR 52 | = | |
| 72229 | | = | 🔊 |
| 78229 | | ~ | 🔊 |
| 1 | Motor Motor | 85141 | 28 |
| 2 | Puffer rund flach Buffer round flat | 88556 | 5 |
| 3 | Puffer rund gewölb Buffer round curved | 88557 | 5 |
| 4 | Standardkupplung Standard coupling | 89246 | 6 |
| 5 | Kardanwelle 39 mm Cardan shaft 39 | 109238 | 5 |
| 6 | Tenderkuppl. Tender coupling | 111829 | 6 |
| 7 | GF-Schraube M1,6x6 mm Self-tapping screw M1,6x6 | 114836 | 3 |
| 8 | GF-Schraube M1,6x4 mm Self-tapping screw M1,6x4 | 114850 | 3 |
| 9 | GF-Schraube M2x4 mm Self-tapping screw M2x4 | 114877 | 3 |
| 10 | Tenderplatine Tender PCB | 124971 | 22 |
| 11 | Kohle Coal | 124979 | 7 |
| 12 | TS - Fenster und Lichtleiter Part set window and light conductor | 124986 | 8 |
| 13 | Griffstangen Tender Handrails for tender | 125086 | 8 |
| 14 | Motorhalter Motor holder | 125010 | 6 |
| 15 | Kohlekasten Coal box | 126228 | 10 |
| 16 | Wannenkessel Tub tender body | 145346 | 17 |
| 17 | Wasserdeckel links und rechts Water tank lid left&right | 124980 | 6 |
| 18 | Kardanschale kurz 1,5 mm Cardan reception,short 1,5 | 87129 | 4 |
| DC-Gleichstrom 72222 | | | |
| 19 | Brückenstecker m. Kondensator Connector w. capacitor | 125666 | 9 |
| Sound | | | |
| 20 | Sounddecoder Sound-decoder | 130205 | 39 |



| Pos. Nr. Pos.no. | Beschreibung Description | Art.-Nr. Art.no. | Preisgruppe Price bracket |
|------------------------|---|---------------------|------------------------------|
| 72228 | ÖBB BR 52 | = | |
| 72229 | | = | 🔊 |
| 78229 | | ~ | 🔊 |
| 1 | Hafringsatz 10Stk. 10,3-12,8mm Set w.traction tyres 10pieces 10,3-12,8 | 40069 | --- |
| 2 | Zugfeder - 2,5x5,8x0,15 mm Draw spring 2,5x5,8x0,15 | 86208 | 3 |
| 3 | Zahnrad Z=17 Gear wheel Z=17 | 86409 | 5 |
| 4 | Schnecken Zahnrad Z=15/14 Worm gear wheel Z=15/14 | 86490 | 5 |
| 5 | TS - Tender 4 Part set for Tender 4 | 100307 | 8 |
| 6 | Attrappenrahmen klein Small dummy frame | 107808 | 4 |
| 7 | Laufgestelldruckfeder Bogie pressure spring | 108226 | 3 |
| 8 | Zubehör Rahmensatz Set of accessory frames | 108322 | 7 |
| 9 | GF-Schraube M1,6x4 mm Self-tapping screw M1,6x4 | 114850 | 3 |
| 10 | GF-Schraube M1,6x10 mm Self-tapping screw M1,6x10 | 114881 | 3 |
| 11 | Zahnrad Z=16 Gear wheel Z=16 | 117617 | 3 |
| 12 | Radsatz o.Haftr. o.Zahn. Wheelset w/o gear wheel w/o traction tyres | 125089 | 10 |
| 13 | Radsatz m.Haftr. m.Zahn. Wheelset w. gear wheel w.traction tyres | 125090 | 12 |
| 14 | TS - Tendersteckteile Part set tender plug-in parts | 124982 | 9 |
| 15 | TS - Leiter, Treppen Part set ladder, treadle | 124983 | 8 |
| 16 | Laufgestell Bogie | 124984 | 8 |
| 17 | TS - Blenden und Schienenräumer Part set bogie and rail guard | 125084 | 8 |
| 18 | Getriebeatz Tender Gear set for Tender | 125008 | 13 |
| 19 | Tenderradkontakt Wheel contact tender | 125028 | 3 |
| 20 | Zurüstbeutel Bag with accessories | 125096 | 14 |
| 21 | Getriebeboden lack. Gear bottom painted | 125009 | 9 |
| AC-Wechselstrom | | | |
| 22 | Hafringsatz 10Stk. 10,3-12,4mm Set w.traction tyres 10pieces 10,3-12,4 | 40074 | --- |
| 23 | Schleifer 46mm Center pick-up 46 | 86031 | 14 |
| 24 | Radsatz o. Haftr. o. Zahn. AC Wheelset w/o gear w/o traction tyres AC | 128929 | 10 |
| 25 | Radsatz m.Haftr. m.Zahn. AC Wheelset w. gear w. traction tyres AC | 125098 | 12 |

Ersatzteile erhalten Sie direkt unter www.roco.cc, bei Ihrem Fachhändler oder Ihrer Landesvertretung:
Spare parts can be ordered directly at www.roco.cc and from your local dealer or country representative.